



**Wall Mounted Pro**  
**APP10N3H2**

## Contents

key features	3
technical requirements	4
what's inside	5
airflow	6
installation	7
clearance	8
additional connections	9
technical specifications	10
external fan	13
dimensions	14
wiring diagram	15
mounting template	16
warranty terms and conditions	18
nomenclature	20

## KEY FEATURES

- **No outdoor unit**

The single package design means no outdoor unit, freeing up space on rooftops and at ground level and enabling installations in buildings without space for an outdoor unit.
- **BLDC twin rotary inverter compressor**

The state-of-the-art, twin rotary BLDC inverter compressor operates efficiently, quietly, and with minimal vibration. AIO is ideal for any room or area that requires between 4,000 and 10,500 BTU.
- **High-efficiency ECM fans with auto ESP**

High-efficiency ECM fans enable efficient and quiet operation as the EC motor can ramp up or down depending on the need. Automatically adjusted external static pressure ensures correct airflow.
- **Cold climate heat pump**

The heat pump operates efficiently down to 5°F outdoor temperature.
- **Optional ERV Module**

The optional ERV module enables make up/fresh air in the most efficient method possible.
- **Optional 1,800 Watt electric heat**

The optional electric heating system operates alongside the heat pump when the latter lacks adequate power. This electric heating setup consists of two 900W heaters, strategically staged to optimize efficiency while minimizing the consumption of electric heat. The unit offers configuration options for electric heat usage: it can be set to use no electric heat, 900W electric heat, or 1,800W electric heat, providing flexibility and energy management capabilities.
- **Intelligent defrosting**

AIO's intelligent defrosting system means more time heating and less time on reverse cycle defrost.
- **Coil cooling system**

The condensate mister system drizzles the condensate on the outdoor heat exchanger coils, lowering the coil's temperature and increasing efficiency and performance.
- **Quiet**

With whisper-quiet operation as low as 27 decibels, the occupant will barely notice AIO is operating.
- **No outside noise infiltration**

AIO has the lowest STC and OITC rating among comparable units. This means less outside noise intruding into the room day and night
- **Versatile on/off options**

AIO's low voltage connection enables connection to any occupancy system, key-card, window sensors, fire alarms, etc.; as long as it can send a signal to AIO via low voltage, the unit can be easily turned on or off.
- **Corrosion protection**

AIO comes standard with corrosion protection, assuring many years of trouble-free performance.
- **Minimal clearances and compact footprint**

AIO's compact form with no line sets means there is no need to access the sides of the unit. Mount units with as little as 3/4 inch clearance on all sides. Compact footprints take up minimum space.
- **Leak protection**

A drain alarm will activate if the drain becomes clogged, and the system will be shut off, preventing water damage.
- **Easy to service**

AIO can be easily maintained and repaired from the front or bottom of the unit without having to remove the unit from the wall or ceiling. AIO can also be quickly swapped out with a replacement, reducing downtime.
- **Versatile controls**

AIO includes an onboard touch controller and an optional iOS and android app. AIO can be used with optional wall-mounted controllers, including a touch screen 7-day programmable and third-party controllers from any company using the optional 3rd party kit. An optional BACnet and Modbus module enables interfacing with building management systems
- **10-Year limited warranty**

An industry-leading ten-year limited warranty provides peace of mind. Comprehensive on-site one-year parts and labor. Nine-year parts warranty on the compressor.

Available extended on-site comprehensive parts and labor warranty for five, ten and 15 years..

## TECHNICAL REQUIREMENTS

### Site Requirements

Note: Refer to the full specifications for detailed information about the list of specifications.

- The power supply circuit is installed in accordance with the current edition of NEC (ANSI/NFPA 70) and local codes and ordinances. Note: Always consult local and national electric codes.
- Voltage rating of 60 Hz, single phase in 115V or 208/230V in accordance with the model specified
- Interior clearances as follows:
  - Sides of unit to wall: 1"
  - Bottom of unit to floor 1"
  - Top of unit to any obstruction: 3.5"
- Unblocked vents on the exterior and no obstacles within 36".
- An internal drain is highly recommended.
- If using an externally run condensate line, note the following:
  - Must be properly insulated
  - Minimum of 30% slope
  - If on a low floor, ensure that end of drain is above the

maximum height of snow buildup.

- Highly recommended to use a heat trace wire on the drain line to prevent freezing. This can be connected to the a heat trace power connection on the bottom of the unit.
- Approved louvers installed with best practices to ensure no water into the wall assembly.
- 8" diameter ducts through the wall which protrude 1/8" into the unit's EPDM backing to ensure a tight seal.
- The unit must be perfectly level on the vertical and horizontal axis.
- The unit must be tight to the wall, with zero leakage between the external ducts and the unit. Use insulating material if wall is not level.
- Properly affixed wall bracket to wall studs or other supporting material. Note the wall bracket has several places that must be secured.

### Louver Specifications

AIO Wall Mounted Pro units can be vented through all kinds of custom and creative solutions. The possibilities are endless, from perforated panels to custom louvers.

There are two critical factors in selecting and sizing a solution that will work with AIO Wall Mounted Pro units.

- **Free area:** This area on a louver/grille is open for the air to flow through. The louver, perforated panel, or other solution must have at least the amount of free area as required in the specifications below in the plenum from the unit so that ample air can enter and exit the condenser chamber. A more restrictive solution with a smaller free area can be utilized by enlarging the louver and plenum until the required free area is achieved.
 

**The minimum free area required is 0.34 sq feet for the intake vent and 0.34 sq feet for the exhaust vent.**
- **Pressure drop:** Pressure drop is the resistance the louver/grille creates against the airflow. This resistance can create heat build-up inside the condenser portion, causing the compressor to overheat and shut down. A solution

drop is within specification.

**The maximum total pressure for the intake and exhaust ducting (if any) and intake and exhaust louvers combined must be under 0.45" WC**

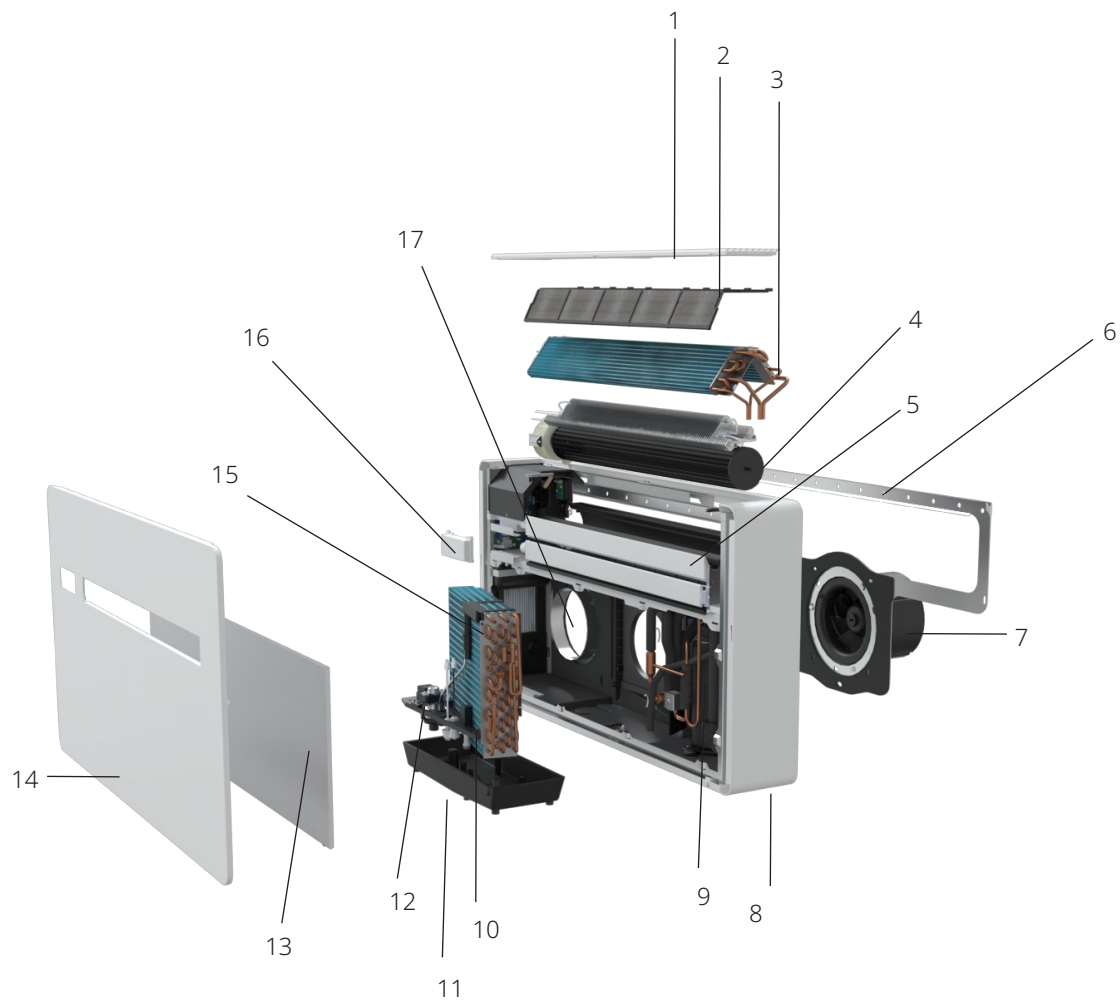
**To be clear, the entire assembly of ductwork, plenums, and louvers for the complete air circuit, in and out of the system may not exceed 0.45" WC.**

- Any louver or louver or assembly must meet these requirements, as exceeding these limits can cause the unit to overheat and fail and void the warranty.
- The following louvers are approved for AIO Wall Mounted Pro:
  - Sunvent: LLA/C, LLA/M, LLA/S - available through your Ephoca distributor.
  - Therma duct: RLA9 - available through your Ephoca distributor.

## WHAT'S INSIDE

<b>1.</b>	Return air grille
<b>2.</b>	Washable Filter
<b>3.</b>	High-efficiency indoor heat exchanger
<b>4.</b>	Tangential supply fan
<b>5.</b>	Supply air louver
<b>6.</b>	Wall Mount bracket
<b>7.</b>	ECM Axial condenser fan
<b>8.</b>	Accessory connection ports
<b>9.</b>	BLDC inverter compressor
<b>10.</b>	Outdoor high efficiency heat exchanger

<b>11.</b>	Condensate drain pan
<b>12.</b>	Condensate pump
<b>13.</b>	Insulation panel
<b>14.</b>	Decorative cover panel
<b>15.</b>	Condensate disbursement system
<b>16.</b>	Touchscreen controller
<b>17.</b>	Outside air intake



## AIRFLOW

AIO Wall Mounted Pro is extraordinarily flexible in how it can externally vent. A host of adapters are available that enable AIO Wall Mounted Pro to be installed in many scenarios, including on glass curtain walls with linear louvers, integrated window, and louver assemblies, or even with no construction using a windowsill adapter.

- **Supply air**

The supply air is through an electronically controlled louver that can be set at any angle or continuously oscillate.

- **Return air**

The return air is on the top through the integrated return air grille.

- **Outside air intake**

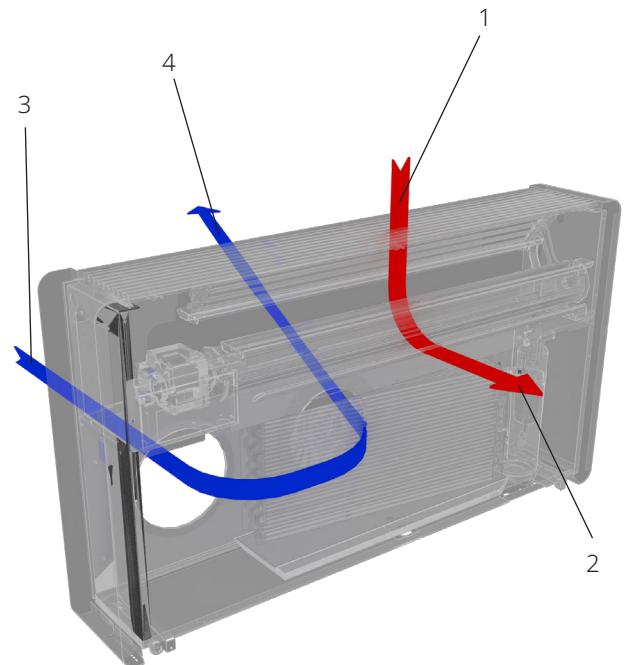
The 8-inch round outside air intake connection can be ducted or used with an adapter with up to 0.45-inch external static pressure (combined between intake and exhaust). Use with any of the approved or custom louvers/as long as they comply with the minimum requirements. See page 4.

- **Outside air exhaust**

The 8-inch round exhaust connection can be ducted or used with an adapter with up to 0.45-inch external static pressure (combined between intake and exhaust). Use with any of the approved or custom louvers/as long as they comply with the minimum requirements. See page 4.

1.	Room return air
2.	Supply air
3.	Outside air intake
4.	Exhaust air

■ Outside air    ■ Recirculate air



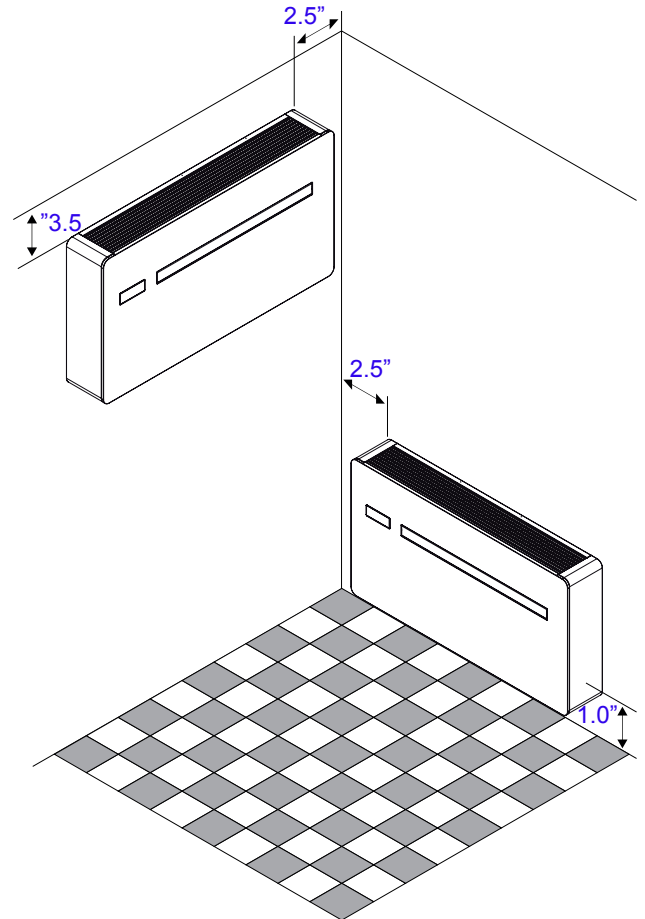
# INSTALLATION



## CLEARANCE

The AIO Wall mounted unit's clearance will depend on how it is mounted. Please carefully read the criteria below to determine the correct clearance required.

- Top - low wall mounted**  
 There must be 3.5" minimum clearance to any surface above, such as a shelf, etc. This is needed for the return airflow. 8" of clearance is recommended for ease in changing the filter and servicing the unit.
- Top - high wall mounted**  
 There must be 3.5" minimum clearance from the ceiling. This is needed for the return airflow. 8" of clearance is recommended for ease in changing the filter and servicing the unit.
- Bottom**  
 There must be a minimum of 1" from the floor to eliminate any noise from vibration. 2" of clearance is ideal to allow the floor under the unit to be cleaned.
- Sides**  
 The AIO Wall mounted unit should not touch the wall on either side as it will vibrate slightly during operation, which may create noise. As little as 3/4" clearance will suffice to eliminate any noise from vibration. A clearance of 2.5" on the sides allows for easier access when removing and installing the unit.
- Front**  
 Ensure no curtains, furniture, plants, or any material is within 30" in front of the unit. The supply air vent is on the front, and blocking it will inhibit the airflow and the unit from working correctly.
- Rear**  
 The rear of the unit must be tight to the wall so there are zero gaps between the wall and the unit. Gaps can allow outside air inside and create short cycling and humidity. If there are any gaps, they must be sealed with insulation.
- Exterior**  
 On the exterior of the building, there should be no obstacles blocking the airflow from the louver. There must be a least 36" of free and clear space in front of the louvers.





## ADDITIONAL CONNECTIONS

AIO Wall Mounted Pro offers a group of connections on the bottom of the unit to enable quick and easy connection to accessories and components. This includes the following:

### Controller Gateways

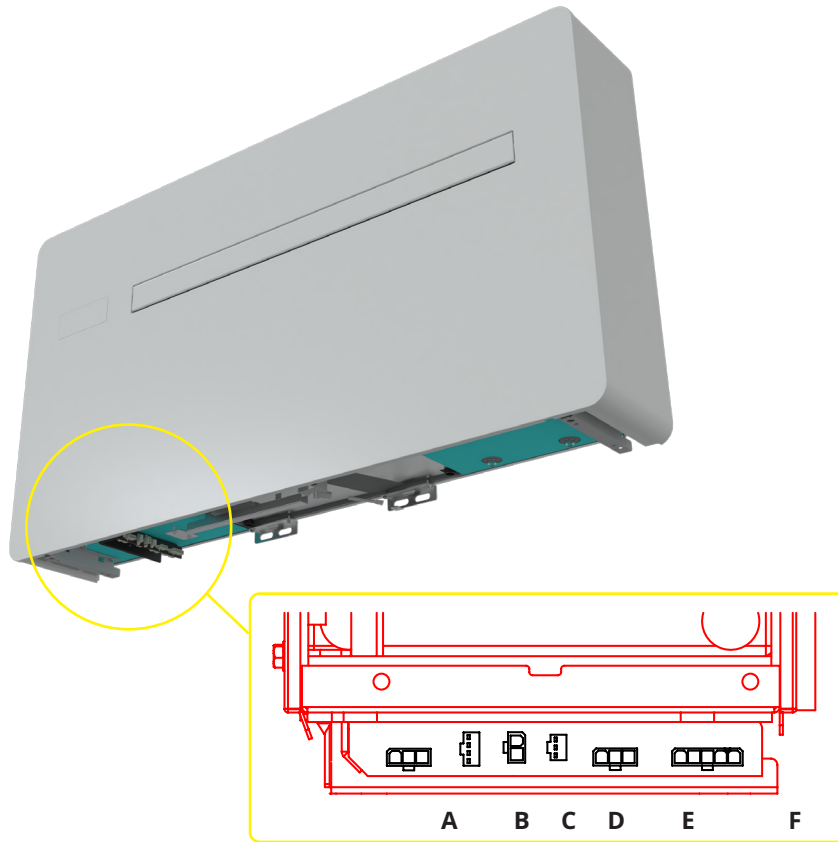
This includes power and communication ports to connect the Third Party Gateway, Advanced Touch Controller, Basic Touch Controller, BACnet, Modbus and other controllers.

### Heat Trace Power

When installing a condensate line that is draining directly outside, in cold climates, we highly recommend using a heat trace line.

### ERV

When connecting the AIO ERV these ports allow quick connections to the power and communications for the ERV.



**A** - Power Supply for Controller Gateway

**B** - Communication port for Controller Gateway

**D** - Communication port for ERV

**E** - Power for ERV

## TECHNICAL SPECIFICATIONS

### Cooling

		95°F <sup>1</sup>	105°F <sup>2</sup>	115°F <sup>3</sup>
<b>Heat Pump</b>				
Maximum		15,000	12,000	13,500
Nominal	Btu/h	9,000	8,200	7,700
Minimum		3,300	3,300	3,300
Input Power	W	801	909	982
Efficiency		15.74 SEER <sub>2</sub>	9.02 EER <sub>2</sub>	7.84 EER <sub>2</sub>
Moisture Removal	Pts/h	1.9	-	-

- 1 **95°F** Indoor: 80°F, W.B. 67°F; Outdoor: 95°F, W.B. 75°F
- 2 **105°F** Indoor: 80°F, W.B. 67°F; Outdoor: 105°F, W.B. 75°F
- 3 **115°F** Indoor: 80°F, W.B. 67°F; Outdoor: 115°F, W.B. 75°F

### Heating

		47°F <sup>4</sup>	17°F <sup>5</sup>	5°F <sup>6</sup>	0°F <sup>7</sup>	-5°F <sup>8</sup>
<b>Heat Pump (+ Optional 3,000 /6,100 BTU/H elec heat)</b>						
Maximum		14,500	9,100	6,700	6,500	6,100
Nominal	Btu/h	8,200	7,600	5,600	5,400	5,100
Minimum		3,300	3,300	3,300	3,300	3,300
Input	W	711	935	919	953	917
Efficiency		8.45 HSPF <sub>2</sub>	2.38 COP <sub>2</sub>	1.76 COP <sub>2</sub>	1.66 COP <sub>2</sub>	1.63 COP <sub>2</sub>

- 4 **47°F** Indoor: 70°F, W.B. 67°F; Outdoor: 47°F, W.B. 43°F
- 5 **17°F** Indoor: 70°F, W.B. 60°F; Outdoor: 17°F, W.B. 13°F
- 6 **5°F** Indoor: 70°F, W.B. 60°F; Outdoor: 5°F, W.B. 3°F
- 7 **0°F** Indoor: 70°F, W.B. 60°F; Outdoor: 0°F
- 8 **-5°F** Indoor: 70°F, W.B. 60°F; Outdoor: -5°F

## Airflow

### Fresh air volume

Indoor	Type	ECM centrifugal
	Supply connection	Integrated front
	Return connection	Integrated bottom
	Filter	MERV 3
Outdoor	Type	ECM centrifugal

## General

### Compressor

Refrigerant	Type	R32
Type	BLDC twin rotary inverter	

### Modes

Timers	Dependent on controller
Restricted modes	Heat only, cool only, temperature limiting

### Condensate

Pipe	Size	3/4" Outside diameter
	Material	Rubber

## Sound

### Sound

Indoor	STC	40
	OITC	35
Outdoor	dB(A)	28-55

## Dimensions

**Electrical**

<b>General</b>	
Heating (max)	7.1
Volt range	180-253
Heating (nominal)	2.9
Cooling (max)	7.8
Cooling (nominal)	3.4
Input power (off mode)	1.5
Input power (standby)	10.8
Power factor (%)	0.96
Power supply	Hardwire or LCDI
Hz/phase	60 Hz single phase

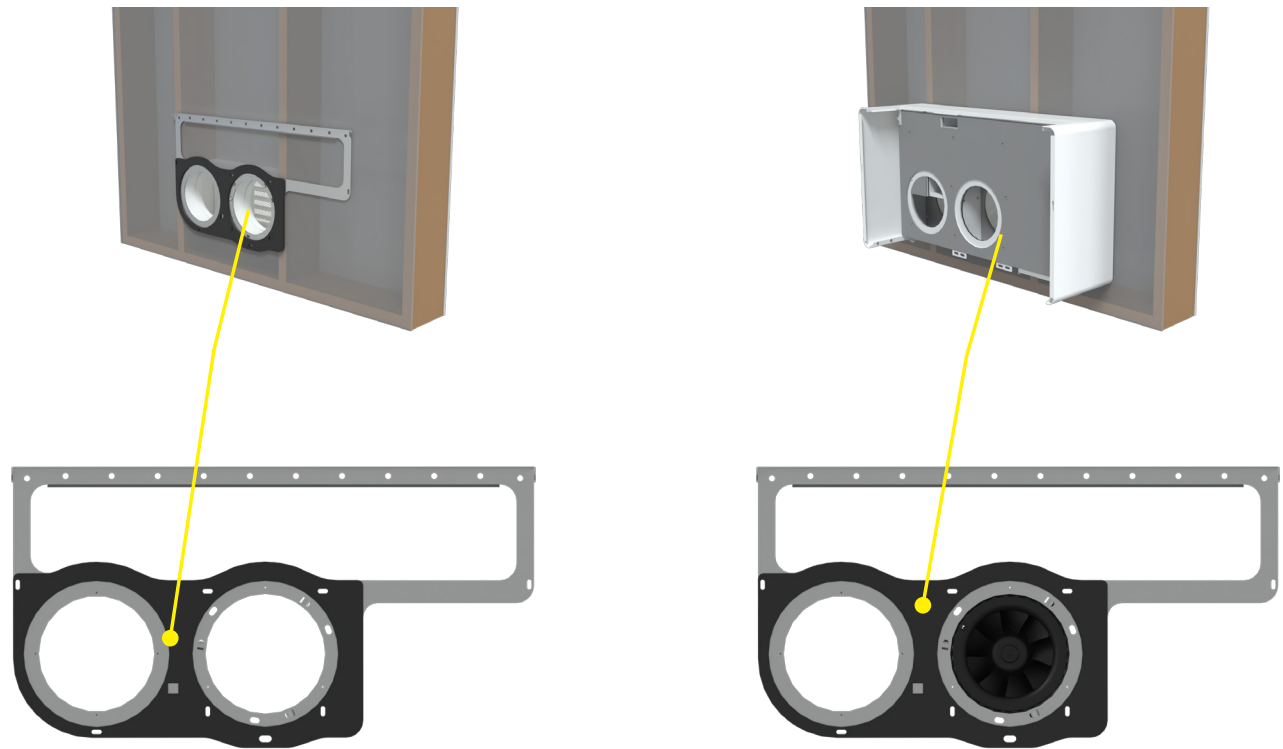
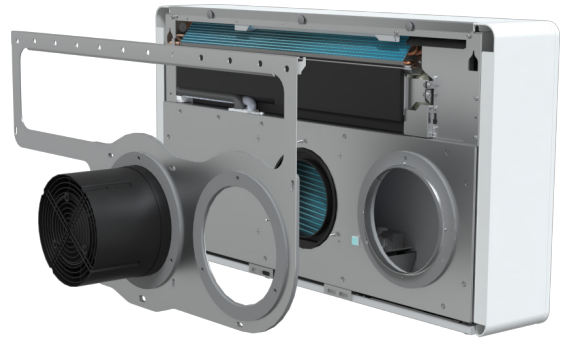
<b>Motors</b>		
Compressor	RLA	4.7
	LRA	4.7
Indoor ECM fan motor	W (max)	50
	F.L.A.	0.2
	HP	0.07
Outdoor ECM fan motor	W (max)	150
	F.L.A.	0.7
	HP	0.20

<b>Circuit breakers</b>	
MOCB	230V, heat pump only
Recommended breaker size	15
MCA	10

<b>LCDI Power Cord</b>	
Plug Type	6-15P
Amps	15

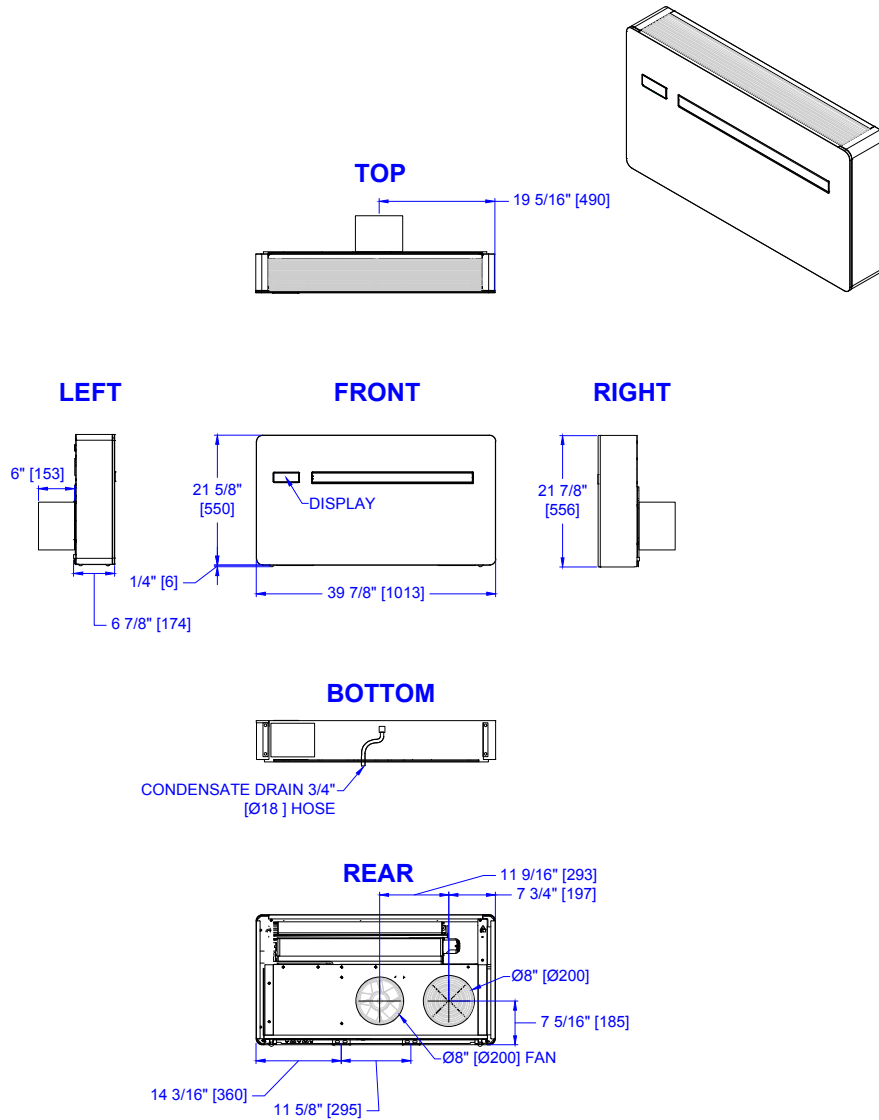
## EXTERNAL FAN

The AIO Wall Mounted Pro uses an extraordinarily powerful fan that sits inside the sleeve / plenum box/ wall assembly. When installing the unit, first the mounting bracket is secured to the wall, then the fan is secured to the wall bracket and connected to the AIO wall Mounted unit



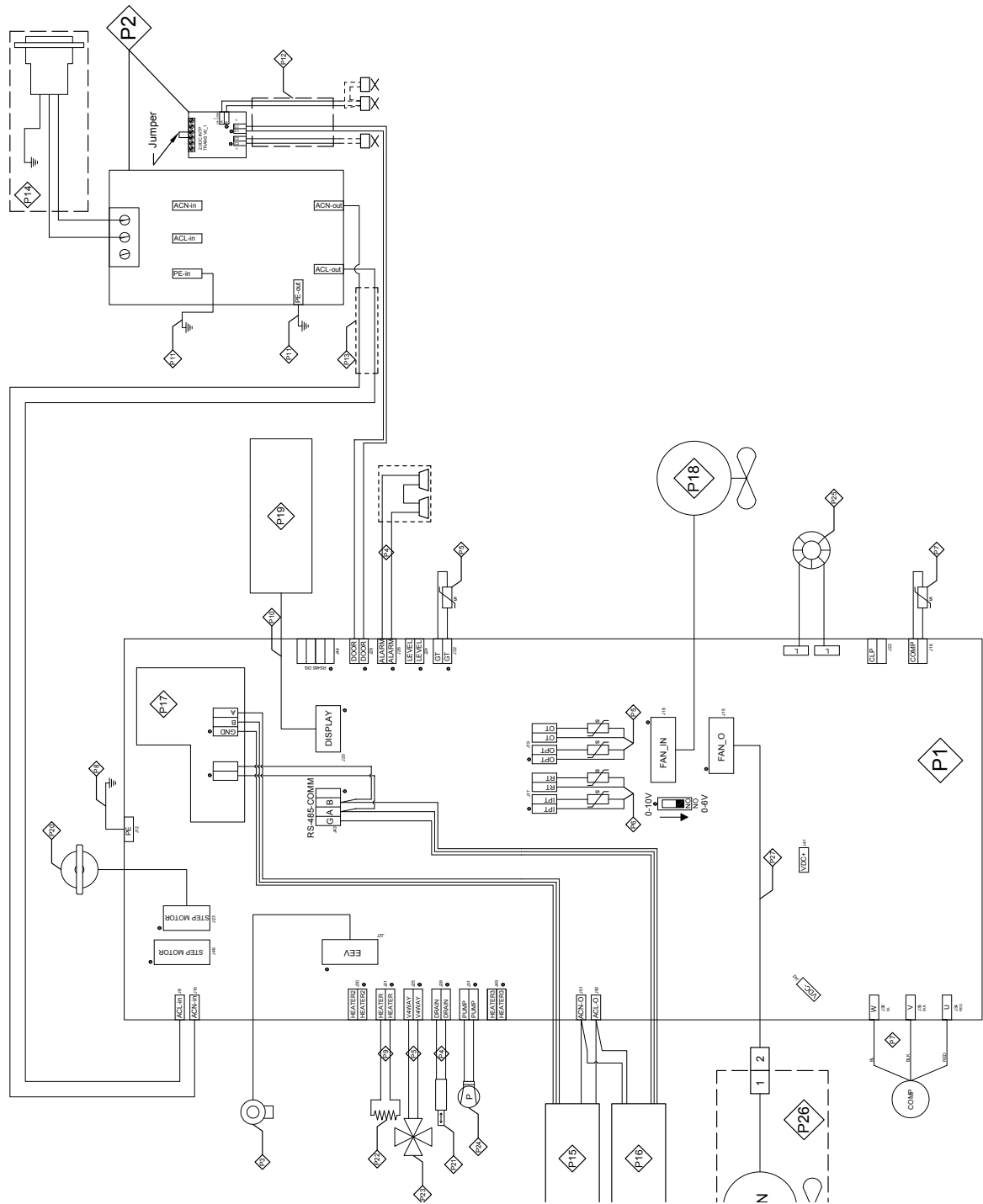
# DIMENSIONS

For CAD and DWG files, please scan or click the QR code below.



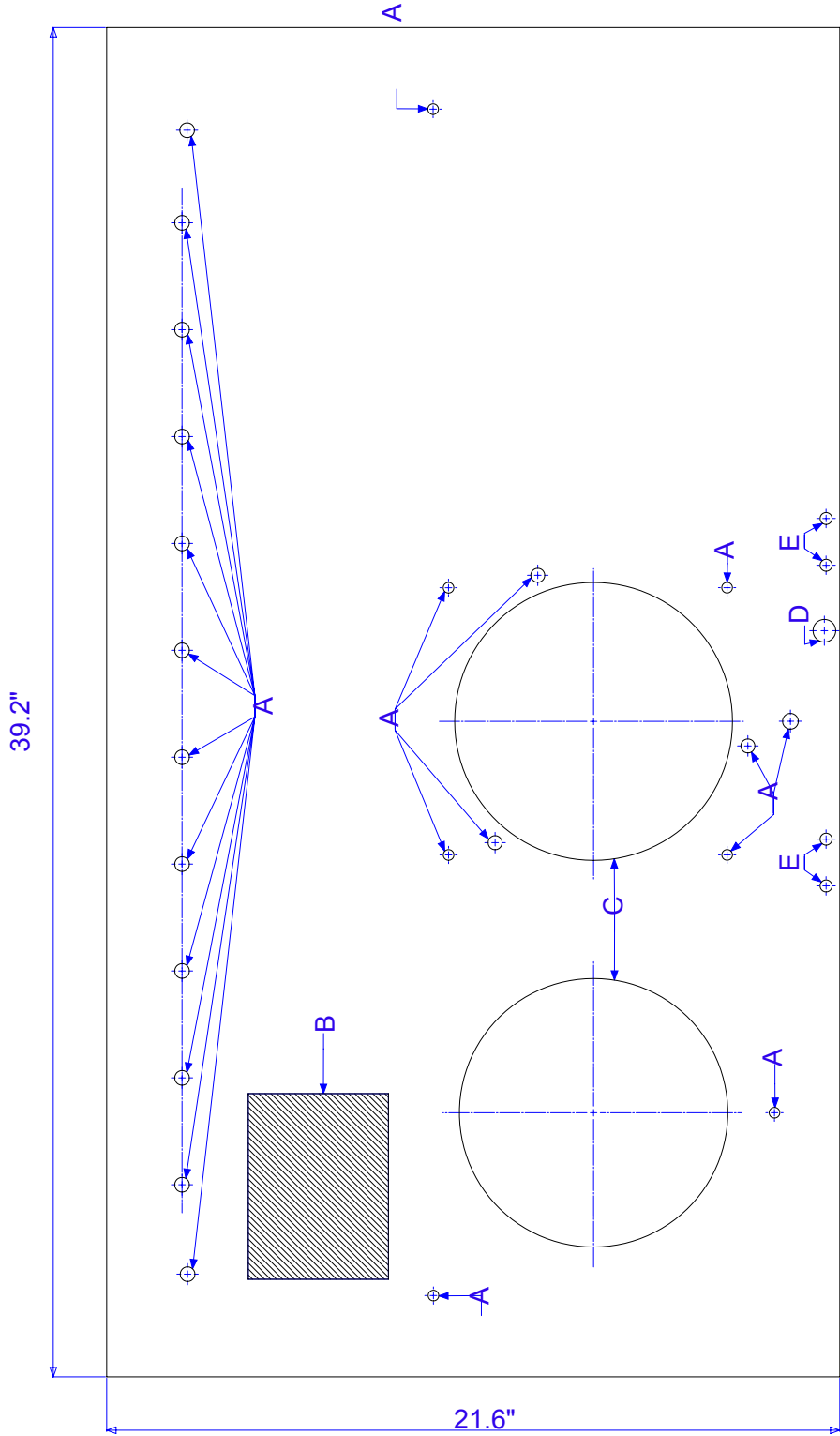
# WIRING DIAGRAM

## Heat Pump Only









**D** - Holes for external condensate drain

**E** - Anti-lifting bracket hole

Holes for fastening wall bracket

Electrical connection area

3" Holes for air vent pipes

## WARRANTY TERMS AND CONDITIONS

### Ten Year Limited Warranty

This limited warranty is valid in the Continental United States only and only for the AIO series heat pump which was purchased and installed in its original installation location. This warranty is only valid when the AIO series heat pump air conditioner meets all the conditions below:

- Purchased from an Ephoca authorized distributor.
- Installed by an Ephoca certified technician.
- The installation was certified by an Ephoca technician before the AIO series heat pump was used.
- AIO is operated and maintained in accordance with the printed instructions in the user guide and in compliance with applicable local installation and building codes and good trade practices.
- The site must have a minimum of ten (10) units and there must be spare units on site equal to a minimum of three (3) units or 2.5% of installed units, whichever is greater.

These spare units must be used to replace a unit with a service issue until an Ephoca technician can be on site.

- A maintenance contract with a professional service provider must be in place to ensure the units are maintained and filters kept clean. You must submit documented filter cleaning every two months. You must submit documented annual unit cleaning.
- For any jobs sold with less than 10 units the distributor/ dealer is responsible for all labor costs and responsible for having attic stock for replacements.
- Every job must be inspected before turning on the units, and pictures of at least 10% of the units must be sent to our office. There are no exceptions. The warranty is not valid without a written letter from Ephoca after the installation pictures are reviewed per the self-certification process guide.

### What This On-site Warranty Covers

Ephoca, Inc. ("Ephoca") warrants your AIO series heat pump air conditioner ("AIO") against failure due to defects in materials or workmanship under normal use, beginning on date

of certification by the Ephoca technician for the following periods:

### Full One-Year Warranty

For the period of one year from the date of certification by the Ephoca technician, Ephoca will replace any part of the AIO which fails due to a defect in materials or workmanship. During this full one-year warranty, Ephoca will provide, on-site, free of charge, all labor and related service costs to

replace the defective part. If you are located in an area where we do not have Ephoca certified technician, we will ship you a replacement unit at our cost and arrange to pick up the defective unit at our cost.

### Limited Ten-Year Warranty On Compressor

For the period of ten-years from the date of certification by the Ephoca technician, Ephoca will replace the compressor part should it fail due to a defect in materials or workman-

ship. During this limited ten-year compressor warranty, Ephoca will provide a replacement compressor, however, you will be responsible for all labor costs and related service costs.

### Optional Extended Five, Ten and Fifteen Year Comprehensive Warranty

A comprehensive extended warranty is available for five, ten, and fifteen years from the date of certification by the Ephoca technician. During this extended warranty, Ephoca will replace any part of the AIO which fails due to a defect in materials or workmanship.

purchased directly from Ephoca within 90 days of installation. Controllers carry a two-year warranty; extended warranties exclude labor for wall controllers.

During this extended warranty period, Ephoca will provide, onsite, free of charge, all labor and related service costs to replace the defective part. If you are located in an area where we do not have Ephoca certified technicians, we will ship you a replacement unit at our cost and arrange to pick up



## Exclusions and Limitations

The warranty shall not cover:

- Any AIO purchased from a non-authorized or out-of-state dealer.
- The extended warranty does not cover wall controllers.
- Any service, part or repair if AIO has not been certified Ephoca technician prior to use.
- Any failure due to or following unauthorized repairs, or repairs performed by unauthorized personnel.
- Installation of AIO, setup of user controls or adjustments to user controls.
- Instruction on user operation.
- Labor costs after the first year, or service trips to deliver or pick up parts not covered by the warranty.
- Replacement of fuses or circuit breakers, wiring or plumbing connections.
- Damage to AIO where there is a corrosive atmosphere containing any damaging chemical such as chlorine or fluorine (other than that normally occurring in a residential environment).
- Cleaning or replacing air filters.
- Removing AIO from inaccessible locations.
- Correcting improper installations.
- Any AIO not installed pursuant to applicable regional efficiency standards issued by the Department of Energy or other local rules and ordinances.
- Failure of AIO due to acts of God, natural disasters, power failures, interruptions, brownouts or power spikes, or due to incorrect inadequate electrical service or failure of Internet Services or Home Networks.
- Any AIO with altered, missing or defaced serial number.
- Damages or personal injury caused directly or indirectly by failure or malfunction of AIO as a result of any cause including natural disasters, accidents, misuse, improper wiring or installation.
- Any cost of supplemental (replacement) Cooling or heat during equipment failure.
- Any cost to replace, refill or dispose of refrigerant, including the cost of refrigerant.
- Any unit if a documented maintenance plan is not in place prior to installation.

Failure to meet any of these conditions will void the warranty:

- The unit must be in alignment with the intended room's design specification
- Submit documented filter cleaning every two months.
- Submit documented annual unit cleaning.
- Maintain attic stock of at least 3%, with a minimum of 5 units.

- Labor warranty applies only to orders of 10 units or more.
- Submit self-certification photos must be submitted to Ephoca at [selfcertify@ephoca.com](mailto:selfcertify@ephoca.com). Warranty activation requires review, approval, and issuance of a certification.
- Splicing low-voltage thermostat wires will void the warranty.
- Using any other wire (e.g. multi-strand) besides a solid copper C-Wire will void the warranty.
- Customer's account balance must be paid.

The warranty will be void if any of the following terms are not met:

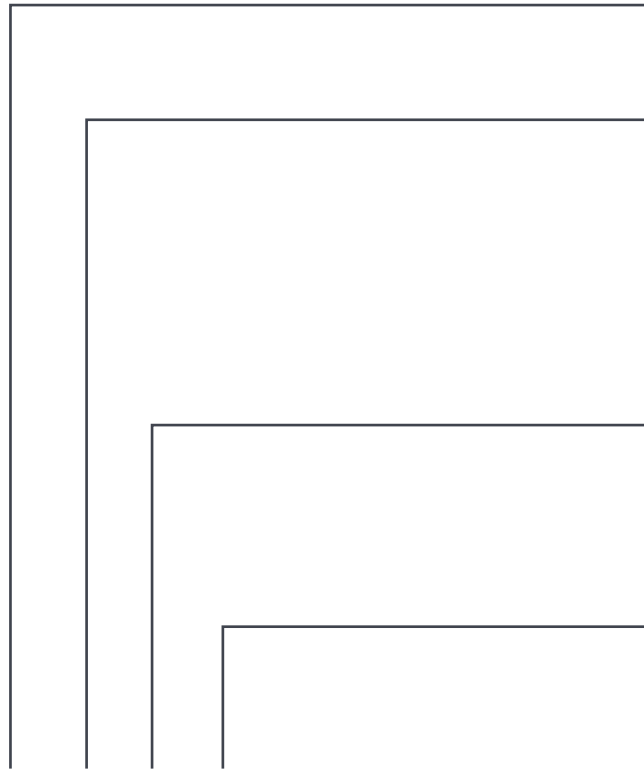
- Self-certification photos must be submitted to Ephoca at [selfcertify@ephoca.com](mailto:selfcertify@ephoca.com). Warranty activation requires review, approval, and issuance of a certification.
- The unit must be used in alignment with the intended room's design specifications.
- Warranty is void if the customer's account balance remains unpaid.

THIS WARRANTY IS IN LIEU OF ANY OTHER WARRANTY, EXPRESS OR IMPLIED, INCLUDING WITHOUT LIMITATION, ANY WARRANTY OF MERCHANTABILITY OR FITNESS FOR A PARTICULAR PURPOSE. TO THE EXTENT ANY IMPLIED WARRANTY IS REQUIRED BY LAW, IT IS LIMITED IN DURATION TO THE EXPRESS WARRANTY PERIOD(S) ABOVE. NEITHER EPHOCA NOR ITS DISTRIBUTOR SHALL BE LIABLE FOR ANY INCIDENTAL, CONSEQUENTIAL, INDIRECT, SPECIAL, OR PRODUCTIVE DAMAGES OF ANY NATURE, INCLUDING WITHOUT LIMITATION, LOST REVENUES OR PROFITS, OR ANY OTHER DAMAGE WHETHER BASED IN CONTRACT, TORT, OR OTHERWISE. FOR A PARTICULAR USE OR PURPOSE.

NO ONE IS AUTHORIZED TO CHANGE THIS WARRANTY CERTIFICATE OR TO CREATE FOR US ANY OTHER OBLIGATION OR LIABILITY IN CONNECTION WITH THIS AIR CONDITIONER. NO OTHER WARRANTY, EXPRESSED OR IMPLIED, IS APPLICABLE TO THIS PRODUCT.

Some states do not allow the exclusion or limitation of incidental/ consequential damages or limitations on how long an implied warranty lasts, so the above exclusion or limitation may not apply to you. This warranty gives you, the original purchaser, specific legal rights; you may also have other rights that vary from state to state. This warranty does not cover any additional responsibilities or obligations not expressly stated herein nor does it apply to any accessory that is not a part of the AIO as included in the package by Ephoca.

# NOMENCLATURE



**Family**

A = AIO

**Model**

- P = Wall Mounted Pro
- W = Wall Mounted
- D = Ceiling Ducted
- S = Ceiling Suspended
- V = Vertical Stack ( including XL )

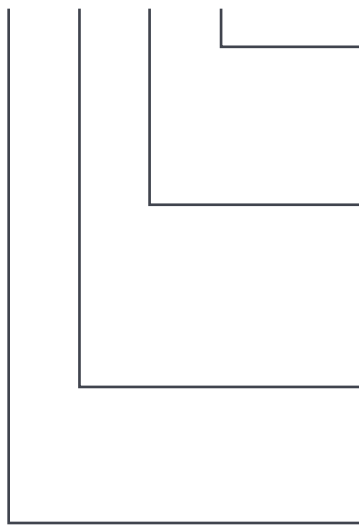
**Version**

- P = Heat Pump Only
- K = Heat pump +900w/ 1,800w\*
- M = Heat pump +3,600w

**Capacity**

- 10 = Design of 10,500 Btu/h
- 20 = Design of 21,000 Btu/h

**A W P 10 R 3 H 1**



**Voltage**

- 1 = 115V
- 2 = 230V

**Available Power Connection Accessories**

- LCDI Power Cord (up to 20 Amp)
- Quick Connect Whip

**Refrigerant**

3 = R32

**Integrated ERV**

- R = With ERV
- N = Without ERV

\* Field convertible



Ephoca is the US subsidiary of Innova SRL - Via 1°  
.Maggio, 8 - 38089 Storo (TN) Italy  
**ephoca.com** | 216-710-1000