

Product  
Data Sheet



# Wall Mounted

List price \$5,124

## CONTENTS

<b>Key Features</b>	<b>3</b>	<b>Warranty</b>	<b>18</b>
<b>Technical Requirements</b>	<b>4</b>	What This On-Site Warranty Covers	18
Site Requirements	4	Optional Extended Five, Ten and 15 Year Comprehensive Warranty	18
Louver Specifications	4	Exclusions and Limitations	19
<b>What's Inside</b>	<b>5</b>	<b>Nomenclature</b>	<b>20</b>
<b>Airflow</b>	<b>6</b>	<b>R32 Submittals</b>	<b>21</b>
<b>Installation</b>	<b>7</b>	115V Heat Pump Only	21
<b>Clearances</b>	<b>8</b>	1230V Heat Pump Only	22
<b>Additional Connections</b>	<b>9</b>	230V Heat Pump + Elec Heat	23
<b>Technical Specifications</b>	<b>10</b>		
Performance	10		
General / Airflow	11		
Electrical	12		
<b>Dimensions</b>	<b>13</b>		
<b>Wiring Diagrams</b>	<b>14</b>		
Heat Pump Only	14		
Heat Pump + Electric Heat	15		
Wiring Diagram Notes	16		
<b>Mounting template</b>	<b>17</b>		

AIO Wall Mounted units are slim and sleek. The wall-mounted unit can be mounted high or low with a factory-supplied bracket, making installation quick and simple. An electronically controlled louver with an auto-swing function distributes airflow comfortably and uniformly. Wall-mounted units are ideal for any area with free wall space. The onboard touch controller simplifies use and installation. Special adapters enable the unit to be installed perpendicular to an outside wall, used with many louver styles, or even vented through an existing window frame with no construction required. Wall's powerful external ECM condenser fan sits inside the vent pipe or adapter.

**Ephoca is constantly innovating and improving its products and reserves the right to modify product design and specifications without notice and without incurring any obligations.**

Ephoca is the US subsidiary of Innova SRL - Via 1° Maggio, 8 - 38089 Storo (TN) Italy.

© 2025 Ephoca. All rights reserved.



## KEY FEATURES

- **No outdoor unit**  
The single package design means no outdoor unit, freeing up space on rooftops and at ground level and enabling installations in buildings without space for an outdoor unit.
  - **BLDC twin rotary inverter compressor**  
The state-of-the-art, twin rotary BLDC inverter compressor operates efficiently, quietly, and with minimal vibration. AIO is ideal for any room or area that requires between 4,000 and 10,500 BTU.
  - **High-efficiency ECM fans with auto ESP**  
High-efficiency ECM fans enable efficient and quiet operation as the EC motor can ramp up or down depending on the need. Automatically adjusted external static pressure ensures correct airflow.
  - **Cold climate heat pump**  
The heat pump with efficiently function down to 5°F outdoors.
  - **Optional ERV Module**  
The optional ERV module enable make up/fresh air in the most efficient method possible.
  - **Optional 1,800 Watt electric heat**  
The optional electric heating system operates alongside the heat pump when the latter lacks adequate power. This electric heating setup consists of two 900W heaters, strategically staged to optimize efficiency while minimizing the consumption of electric heat. The unit offers configuration options for electric heat usage: it can be set to use no electric heat, 900W electric heat, or 1,800W electric heat, providing flexibility and energy management capabilities.
  - **Intelligent defrosting**  
AIO's intelligent defrosting system means more time heating and less time on reverse cycle defrost.
  - **Coil cooling system**  
The condensate mister system drizzles the condensate on the outdoor heat exchanger coils, lowering the coil's temperature and increasing efficiency and performance.
  - **Quiet**  
With whisper-quiet operation as low as 27 decibels, the occupant will barely notice AIO is operating.
  - **No outside noise infiltration**  
AIO has the lowest STC and OITC rating among comparable units. This means less outside noise intruding into the room day and night.
  - **Versatile on/off options**  
AIO's low voltage connection enables connection to any occupancy system, key-card, window sensors, fire alarms, etc.; as long as it can send a signal to AIO via low voltage, the unit can be easily turned on or off.
  - **Corrosion protection**  
AIO comes standard with corrosion protection, assuring many years of trouble-free performance.
  - **Minimal clearances and compact footprint**  
AIO's compact form with no line sets means there is no need to access the sides of the unit. Mount units with as little as 3/4 inch clearance on all sides. Compact footprints take up minimum space.
  - **Leak protection**  
A drain alarm will activate if the drain becomes clogged, and the system will be shut off, preventing water damage.
  - **Easy to service**  
AIO can be easily maintained and repaired from the front or bottom of the unit without having to remove the unit from the wall or ceiling. AIO can also be quickly swapped out with a replacement, reducing downtime.
  - **Versatile controls**  
AIO includes an onboard touch controller and an optional iOS and android app. AIO can be used with optional wall-mounted controllers, including a TFT with 7 day program and third-party controllers from any company using the optional 3rd party kit. An optional BACnet and Modbus module enables interfacing with building management systems
  - **10-Year limited warranty**  
An industry-leading ten-year limited warranty provides peace of mind. Comprehensive onsite one-year parts and labor. Nine-year parts warranty on the compressor.
- Available extended on-site comprehensive parts and labor warranty for five, ten and 15 years.

## TECHNICAL REQUIREMENTS



### Site Requirements

Note: Refer to the full specifications for detailed information about the list of specifications.

- The power supply circuit is installed in accordance with the current edition of NEC (ANSI/NFPA 70) and local codes and ordinances. Note: Always consult local and national electric codes.
- Voltage rating of 60 Hz, single phase in 115V or 208/230V in accordance with the model specified
- Interior clearances as follows:
  - Sides of unit to wall: 1"
  - Bottom of unit to floor 1"
  - Top of unit to any obstruction: 3.5"
- Unblocked vents on the exterior and no obstacles within 36".
- An internal drain is highly recommended.
- If using an externally run condensate line, note the following:
  - Must be properly insulated
  - Minimum of 30% slope
  - Highly recommended to use a heat trace wire on

the condensate line to inhibit freezing. This can be connected to a power output on the unit.

- If on a low floor, ensure that end of drain is above the maximum height of snow buildup.
- Highly recommended to use a heat trace wire on the drain line - which can be connected to the a heat trace power connection on the bottom of the unit.
- Approved louvers installed with best practices to ensure no water into the wall assembly.
- 8" diameter ducts through the wall which protrude 1/8" into the unit's EPDM backing to ensure a tight seal.
- The unit must be perfectly level on the vertical and horizontal axis.
- The unit must be tight to the wall, with zero leakage between the external ducts and the unit. Use insulating material if wall is not level.
- Properly affixed wall bracket to wall studs or other supporting material. Note the wall bracket has several places that must be secured.

### Louver Specifications

AIO Wall Mounted units can be vented through all kinds of custom and creative solutions. The possibilities are endless, from perforated panels to custom louvers.

There are two critical factors in selecting and sizing a solution that will work with AIO Wall Mounted units.

**Free area:** This area on a louver/grille is open for the air to flow through. The louver, perforated panel, or other solution must have at least the amount of free area as required in the specifications below in the plenum from the unit so that ample air can enter and exit the condenser chamber. A more restrictive solution with a smaller free area can be utilized by enlarging the louver and plenum until the required free area is achieved.

**The minimum free area required is .21 sq feet for the intake vent and .21 sq feet for the exhaust vent.**

- **Pressure drop:** Pressure drop is the resistance the louver/grille creates against the airflow. This resistance can create heat build-up inside the condenser portion, causing the compressor to overheat and shut down. A solution with a higher pressure drop than specified can be utilized

by enlarging the louver and plenum until the pressure drop is within specification.

**The maximum total pressure for the intake and exhaust louvers combined must be under 0.25" WC.**

Any louver must meet these requirements, as exceeding these limits can cause the unit to overheat and fail and void the warranty.

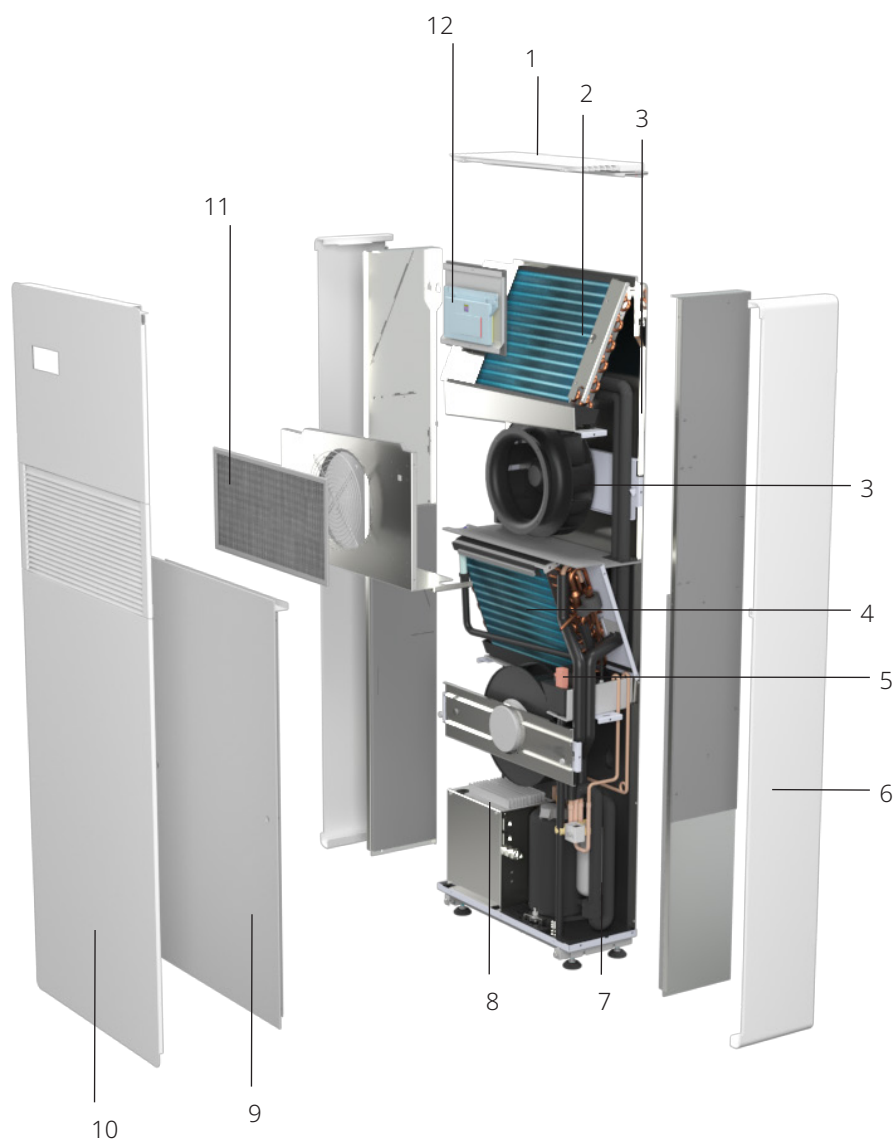
:The following louvers are approved for AIO Wall Mounted

- Sunvent: LLA/C, LLA/M, LLA/S - available through your Ephoca distributor.
- Thermafact: RLA6 - available through your Ephoca distributor.
- Primex: WCL8, WC6, WC8 - available online and in stores.
- Dundas Jaffine: IH6WXZ - available online and in stores.

## WHAT'S INSIDE

1.	Return air grille
2.	High-efficiency indoor heat exchanger
3.	ECM centrifugal supply fan
4.	Outdoor high efficiency heat exchanger
5.	ECM centrifugal condenser fan
6.	Side panel
7.	BLDC inverter compressor

8.	Electrical and control panel
9.	Insulation panel
10.	Decorative cover panel
11.	Washable filter
12.	Toucscreen controller



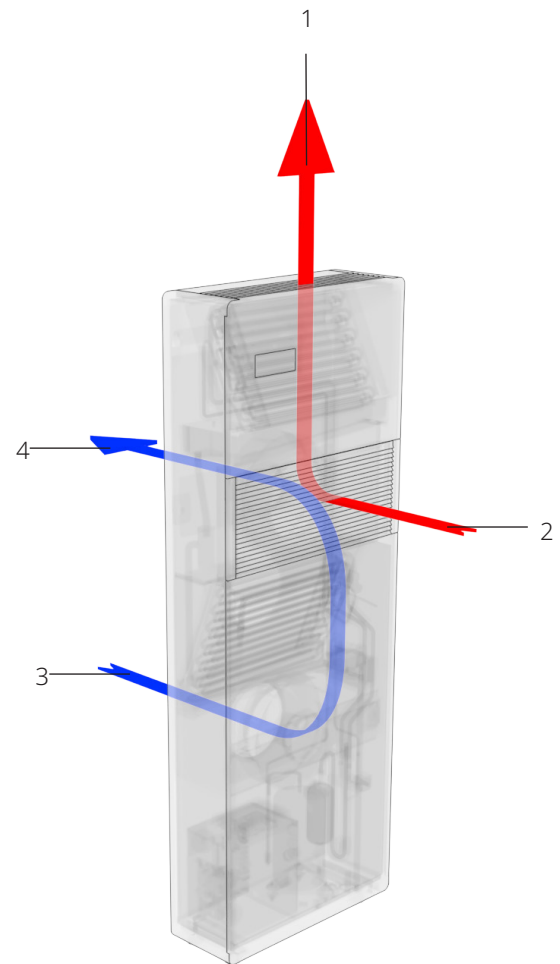
## AIRFLOW

In addition to the typical twin external vents, AIO Wall Mounted can attach to a sidewall adapter enabling mounting on a wall perpendicular to the outside.

- **Supply air**  
The supply air is through an electronically controlled louver that can be set at any angle or continuously oscillate.
- **Return air**  
The return air is on the top through the integrated return air grille.
- **Outside air intake**  
The 6-inch outside air intake connection works with any of the approved or custom louvers as long as they comply with the minimum requirements. See page 3.
- **Outside air exhaust**  
The 6-inch round outside air exhaust connection works with any of the approved or custom louvers as long as they comply with the minimum requirements. See page 3.

1.	Supply air
2.	Room return air
3.	Outside air intake
4.	Exhaust

■ Outside air    ■ Recirculate air



# INSTALLATION

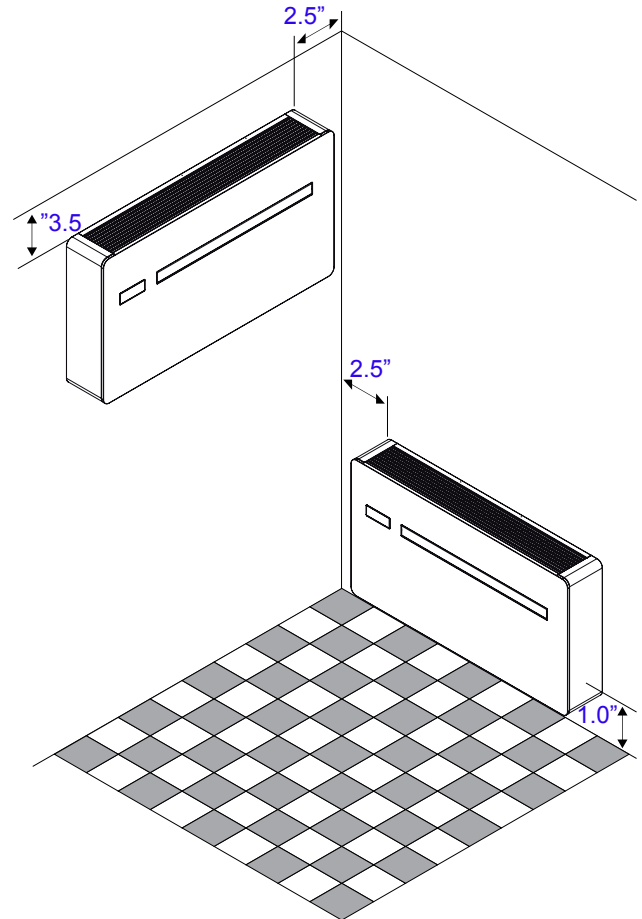


## CLEARANCE



The AIO Wall mounted unit's clearance will depend on how it is mounted. Please carefully read the criteria below to determine the correct clearance required.

- Top - low wall mounted**  
 There must be 3.5" minimum clearance to any surface above, such as a shelf, etc. This is needed for the return airflow. 8" of clearance is recommended for ease in changing the filter and servicing the unit.
- Top - high wall mounted**  
 There must be 3.5" minimum clearance from the ceiling. This is needed for the return airflow. 8" of clearance is recommended for ease in changing the filter and servicing the unit.
- Bottom**  
 There must be a minimum of 1" from the floor to eliminate any noise from vibration. 2" of clearance of is ideal to allow the floor under the unit to be cleaned.
- Sides**  
 The AIO Wall mounted unit should not touch the wall on either side as it will vibrate slightly during operation, which may create noise. As little as 1" clearance will suffice to eliminate any noise from vibration. A clearance of 2.5" on the sides allows for easier access when removing and installing the unit.
- Front**  
 Ensure no curtains, furniture, plants, or any material is within 30" in front of the unit. The supply air vent is on the front, and blocking it will inhibit the airflow and the unit from working correctly.
- Rear**  
 The rear of the unit must be tight to the wall so there are zero gaps between the wall and the unit. Gaps can allow outside air inside and create short cycling and humidity. If there are any gaps, they must be sealed with insulation.
- Exterior**  
 On the exterior of the building, there should be no obstacles blocking the airflow from the louver. There must be a least 36" of free and clear space in front of the louvers.





## TECHNICAL SPECIFICATIONS

Cooling		95°F <sup>1</sup>	105°F <sup>2</sup>	115°F <sup>3</sup>
Heat Pump				
Maximum		10,100	8,900	8,500
Nominal	Btu/h	7,500	7,400	7,100
Minimum		3,300	3,800	4,300
Input Power	W	816	905	982
Efficiency		13.58 SEER2	8.17 EER2	7.23 EER2
Moisture Removal	Pts/h	1.9	-	-

- 1 **95°F** Indoor: 80°F, W.B. 67°F; Outdoor: 95°F, W.B. 75°F
- 2 **105°F** Indoor: 80°F, W.B. 67°F; Outdoor: 105°F, W.B. 75°F
- 3 **115°F** Indoor: 80°F, W.B. 67°F; Outdoor: 115°F, W.B. 75°F

Heating		47°F <sup>4</sup>	17°F <sup>5</sup>	5°F <sup>6</sup>	0°F <sup>7</sup>	-5°F <sup>8</sup>
Heat Pump (+ Optional 3,000 /6,100 BTU/H elec heat)						
Maximum		10,100	6,100	6,600	6,100	5,600
Nominal	Btu/h	7,800	5,100	5,500	5,100	4,900
Minimum		3,900	3,300	3,100	3,100	3,100
Input	W	691	819	938	891	879
Efficiency		6.96 HSPF2	1.83 COP2	1.72 COP2	1.67 COP2	1.64 COP2

- 4 **47°F** Indoor: 70°F, W.B. 67°F; Outdoor: 47°F, W.B. 43°F
- 5 **17°F** Indoor: 70°F, W.B. 60°F; Outdoor: 17°F, W.B. 13°F
- 6 **5°F** Indoor: 70°F, W.B. 60°F; Outdoor: 5°F, W.B. 3°F
- 7 **0°F** Indoor: 70°F, W.B. 60°F; Outdoor: 0°F
- 8 **-5°F** Indoor: 70°F, W.B. 60°F; Outdoor: -5°F

## Airflow

Fresh air volume		
Indoor	Type	ECM centrifugal
	CFM	160 - 290
	Available ESP	N/A
	Supply connection	Integrated
	Return connection	Integrated
	Speeds	Low, med, high, auto
	Filter	MERV 3
Outdoor	Type	ECM centrifugal
	CFM	184 - 350
	Available ESP	0.25" WC
	Intake connection	6" round (external exhaust fan is 6.0" diameter - must leave room around for clearance)
	Exhaust connection	

## General

Compressor		
Type		BLDC twin rotary inverter
Refrigerant	Type	R32
	Oz.	21.87
Oil	Type	Fv50s

Controls	
Basic functionality	Dependent on controller
WiFi	Optional module available
Dry contact	Yes

Modes	
Operation	Cool, heat dehumidify, auto
Restricted modes	Heat only, cool only, temperature limiting
Timers	Dependent on controller

Condensate		
Pipe	Size	3/4" Outside diameter
	Material	Rubber

## Sound

Sound		
Indoor	dB(A)	27 - 41
	STC	37
	OITC	28
Outdoor	dB(A)	28 - 52

## Dimensions

Physical data		
Dimensions	Net	19 "W x 53.3" H x 6.9" D
	Gross	105 lb
Weight	Net	100 lb
	Gross	105 lb
Cabinet	Finish	RAL 9003 signal white
	Material	Steel

**Electrical**

		115V	230V
<b>General</b>			
Volt range		103-127	180-253
Hz/ phase		60 Hz single phase	
Power supply		LCDI power cord or hard-wire	
Power factor (%)		0.96	
Input power (standby)	W	10.8	10.8
Input power (off mode)		1.5	1.5
Cooling (nominal)	A	7.7	3.8
Cooling (max)		9.6	4.8
<b>Heat Pump Only</b>			
Heating - heat pump only (nom.)	A	5.1	2.6
Heating - heat pump only (max)		10.4	5.2
<b>Heat Pump + 900 W Elec Heat</b>			
Heating - heat pump +900 W Elec Heat (nom.)	A	12.9	6.6
Heating - heat pump +900 W Elec Heat (max)		16.3	9.1
<b>Heat Pump + 1,800 W Elec Heat</b>			
Heating - heat pump only (nom.)	A	N/A	10.5
Heating - heat pump only (max)		N/A	13.1

		115V	230V	
<b>Motors</b>				
Compressor	RLA	A	5.6	2.8
	LRA		7.9	3.9
	W (max)		50	50
Indoor ECM fan motor	F.L.A.	A	0.4	0.2
	HP		0.07	0.07
	W (max)		90	90
Outdoor ECM fan motor	F.L.A.	A	0.8	0.4
	HP		0.12	0.12

\* In accordance with UL 60335-2-40: Motor compressor ratings rated load amps (RLA) as determined in Annex 101.DVB, and locked rotor amps (LRA); For motor-compressors controlled by adjustable speed drive, RLA and LRA shall be replaced with the rated input current of the power conversion equipment.

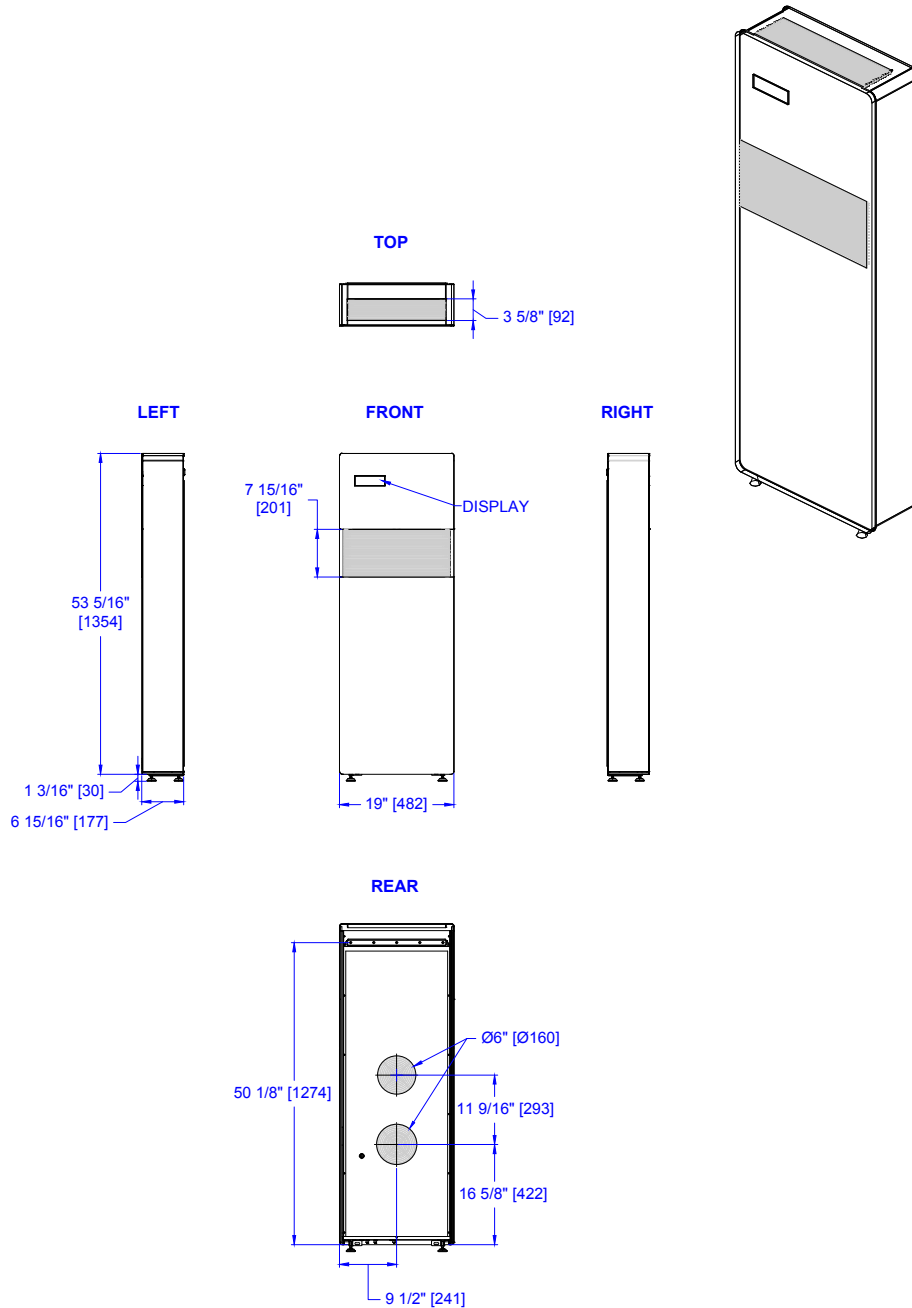
			115V	230V
<b>Circuit breakers</b>				
Heat Pump Only	MCA		13	6
	Recommended breaker size	A	15	15
	MOCP		25	15
Heat Pump + 900 W Elec Heat	MCA		21	10
	Recommended breaker size	A	25	15
	MOCP		35	20
Heat Pump + 1,800 W Elec Heat	MCA		N/A	15
	Recommended breaker size		N/A	20
	MOCP		N/A	25

		115V	230V
<b>LCDI Power Cord</b>			
Heat Pump Only	Amps	20	15
	Plug Type	5-20P	6-15P
Heat Pump + 900 W Elec Heat	Amps	N/A*	15
	Plug Type		6-15P
Heat Pump + 1,800 W Elec Heat	Amps		20
	Plug Type		6-20P

\*LCDI cord not available in 115V above 20A

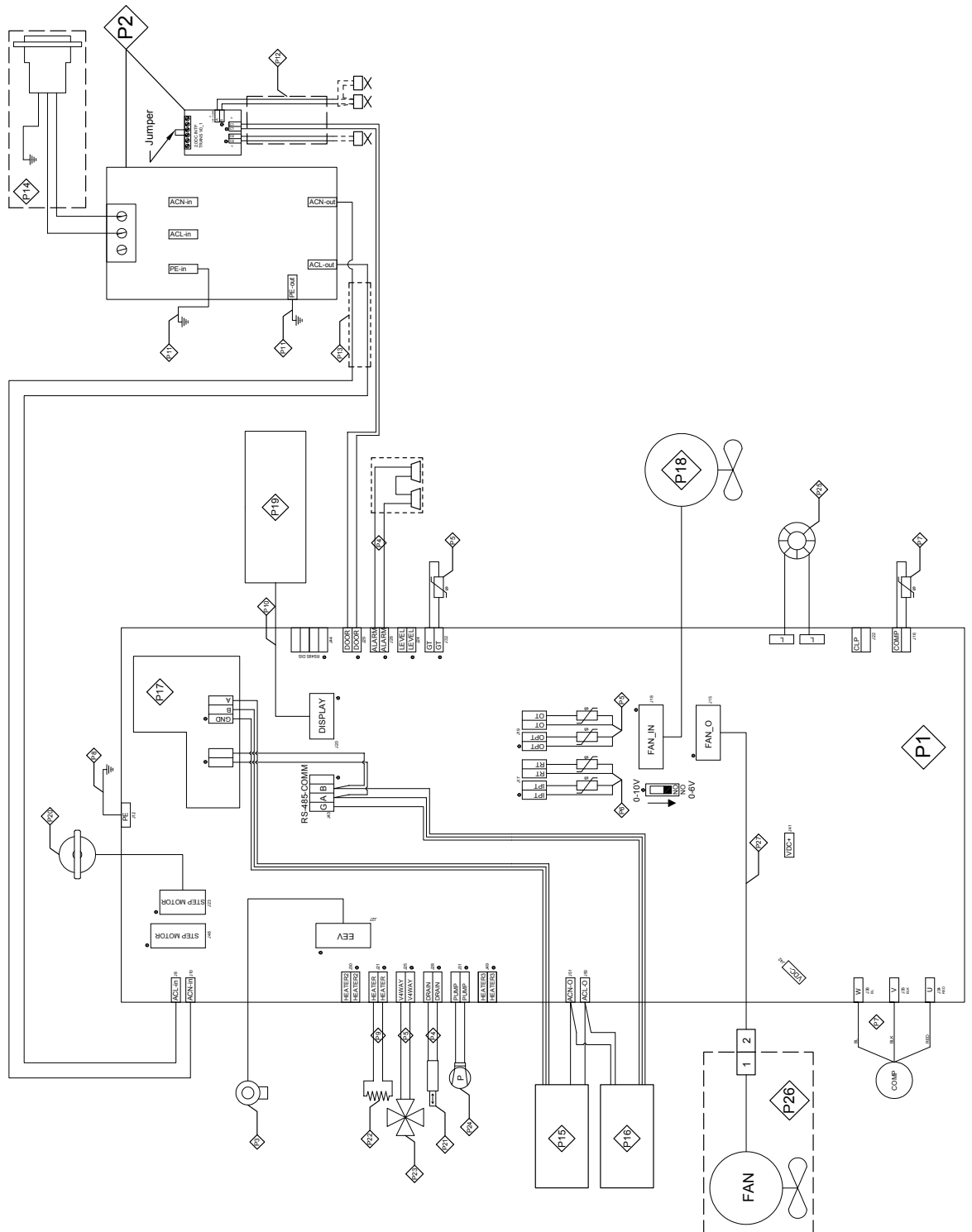
# DIMENSIONS

For CAD and DWG files, please scan or click the QR code below.

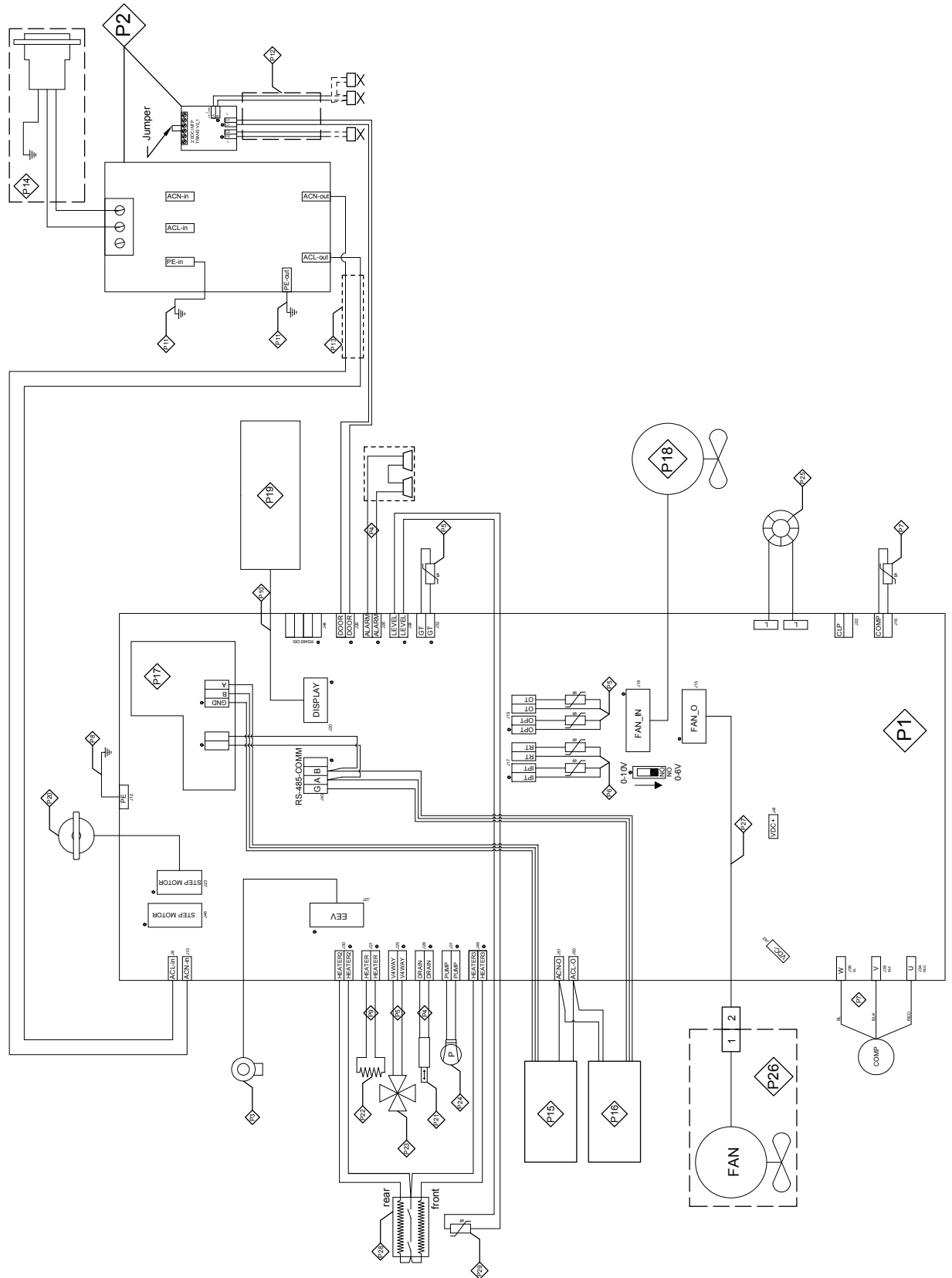


# WIRING DIAGRAM

## Heat Pump Only



# Heat Pump + Electric Heat

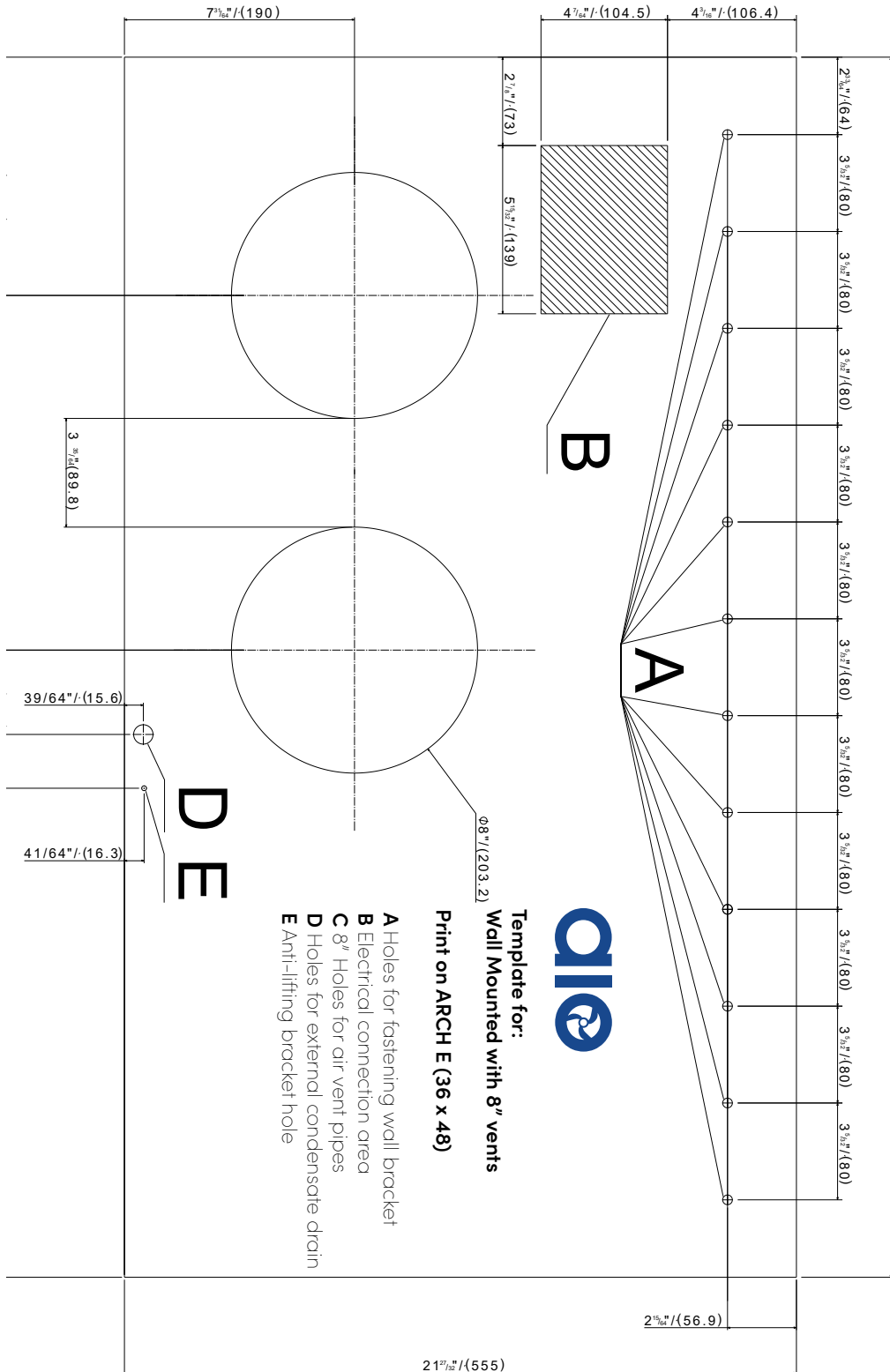


## Notes

## 230V Electric Heat

PART	DESCRIPTION	EPHOCA CODE	Notes
P1	INTEGRATED PCB	N540205A	Included in N576205A
P2	FILTER 2.0 18A PCB	N560536A	Included in N576205A
P3	EEV COIL	N276928B	Included in N576205A
P4	Pan cables harness	N576205A_02	Included in N576205A
P5	4way valve cable+ temperature sensor	N576205A_03	Included in N576205A
P6	Indoor and Incoil temperature sensors	N576205A_04	Included in N576205A
P7	Compressor cables + discharge temperature sensor	N576205A_05	Included in N576205A
P8	PE IntPCB	N576205A_06	Included in N576205A
P9	Kit wiring heating elements	N576205A_07	Included in N576205A
P10	Display cable	N576205A_08	Included in N576205A
P11	PE filter wiring diagram	N576205A_09	Included in N576205A
P12	Transfer cables wiring diagram	N576205A_10	Included in N576205A
P13	Power supply to IntPCB	N576205A_11	Included in N576205A
P14	Power cable with USA 2.0 NC connector	N500399A	
P15	Power + RS485 cable for ERV 2.0NC	N500400A	
P16	2.0NC Rolbit power + communication cable	N500403A	
P17	WI-FI Expansion 2.0/WLH	N540217A	
P18	Internal Fan	N276300B	
P19	Display	N570177A	
P20	Flap motor	N276300B	
P21	DRAIN THERMO ACTUATOR	276417A	
P22	HEATING ELEMENT KIT	N560043B	230V version
P23	4 WAY VALVE	N276916A	230V version
P24	DRAIN PUMP	N640019A	230V version
P25	PFC Reactor	N579099A	230V version
P26	EXTERNAL MIXED FLOWN FAN	N520227A	
P27	EXTERNAL FAN cable from IntPCB to base	N500398A	
P28	TUBULAR HEATING ELEMENT 2x900w -230V	N560506A	
P29	187.25Kohm Copper probe L = 300mm	N500321A	

# MOUNTING TEMPLATE





## WARRANTY TERMS AND CONDITIONS

### Ten Year Limited Warranty

This limited warranty is valid in the Continental United States only and only for the AIO series heat pump which was purchased and installed in its original installation location. This warranty is only valid when the AIO series heat pump air conditioner meets all the conditions below:

- Purchased from an Ephoca authorized distributor.
- Installed by an Ephoca certified technician.
- The installation was certified by an Ephoca technician before the AIO series heat pump was used.
- AIO is operated and maintained in accordance with the printed instructions in the user guide and in compliance with applicable local installation and building codes and good trade practices.
- The site must have a minimum of ten (10) units and there must be spare units on site equal to a minimum of three (3) units or 2.5% of installed units, whichever is greater.

These spare units must be used to replace a unit with a service issue until an Ephoca technician can be on site.

- A maintenance contract with a professional service provider must be in place to ensure the units are maintained and filters kept clean. You must submit documented filter cleaning every two months. You must submit documented annual unit cleaning.
- For any jobs sold with less than 10 units the distributor/ dealer is responsible for all labor costs and responsible for having attic stock for replacements.
- Every job must be inspected before turning on the units, and pictures of at least 10% of the units must be sent to our office. There are no exceptions. The warranty is not valid without a written letter from Ephoca after the installation pictures are reviewed per the self-certification process guide.

### What This On-site Warranty Covers

Ephoca, Inc. ("Ephoca") warrants your AIO series heat pump air conditioner ("AIO") against failure due to defects in materials or workmanship under normal use, beginning on date

of certification by the Ephoca technician for the following periods:

### Full One-Year Warranty

For the period of one year from the date of certification by the Ephoca technician, Ephoca will replace any part of the AIO which fails due to a defect in materials or workmanship. During this full one-year warranty, Ephoca will provide, on-site, free of charge, all labor and related service costs to

replace the defective part. If you are located in an area where we do not have Ephoca certified technician, we will ship you a replacement unit at our cost and arrange to pick up the defective unit at our cost.

### Limited Ten-Year Warranty On Compressor

For the period of ten-years from the date of certification by the Ephoca technician, Ephoca will replace the compressor part should it fail due to a defect in materials or workman-

ship. During this limited ten-year compressor warranty, Ephoca will provide a replacement compressor, however, you will be responsible for all labor costs and related service costs.

### Optional Extended Five, Ten and Fifteen Year Comprehensive Warranty

A comprehensive extended warranty is available for five, ten, and fifteen years from the date of certification by the Ephoca technician. During this extended warranty, Ephoca will replace any part of the AIO which fails due to a defect in materials or workmanship.

purchased directly from Ephoca within 90 days of installation. Controllers carry a two-year warranty; extended warranties exclude labor for wall controllers.

During this extended warranty period, Ephoca will provide, onsite, free of charge, all labor and related service costs to replace the defective part. If you are located in an area where we do not have Ephoca certified technicians, we will ship you a replacement unit at our cost and arrange to pick up the defective unit at our cost. Extended warranties must be



## Exclusions and Limitations

The warranty shall not cover:

- Any AIO purchased from a non-authorized or out-of-state dealer.
- The extended warranty does not cover wall controllers.
- Any service, part or repair if AIO has not been certified Ephoca technician prior to use.
- Any failure due to or following unauthorized repairs, or repairs performed by unauthorized personnel.
- Installation of AIO, setup of user controls or adjustments to user controls.
- Instruction on user operation.
- Labor costs after the first year, or service trips to deliver or pick up parts not covered by the warranty.
- Replacement of fuses or circuit breakers, wiring or plumbing connections.
- Damage to AIO where there is a corrosive atmosphere containing any damaging chemical such as chlorine or fluorine (other than that normally occurring in a residential environment).
- Cleaning or replacing air filters.
- Removing AIO from inaccessible locations.
- Correcting improper installations.
- Any AIO not installed pursuant to applicable regional efficiency standards issued by the Department of Energy or other local rules and ordinances.
- Failure of AIO due to acts of God, natural disasters, power failures, interruptions, brownouts or power spikes, or due to incorrect inadequate electrical service or failure of Internet Services or Home Networks.
- Any AIO with altered, missing or defaced serial number.
- Damages or personal injury caused directly or indirectly by failure or malfunction of AIO as a result of any cause including natural disasters, accidents, misuse, improper wiring or installation.
- Any cost of supplemental (replacement) Cooling or heat during equipment failure.
- Any cost to replace, refill or dispose of refrigerant, including the cost of refrigerant.
- Any unit if a documented maintenance plan is not in place prior to installation.

Failure to meet any of these conditions will void the warranty:

- The unit must be in alignment with the intended room's design specification
- Submit documented filter cleaning every two months.
- Submit documented annual unit cleaning.
- Maintain attic stock of at least 3%, with a minimum of 5 units.

- Labor warranty applies only to orders of 10 units or more.
- Submit self-certification photos must be submitted to Ephoca at [selfcertify@ephoca.com](mailto:selfcertify@ephoca.com). Warranty activation requires review, approval, and issuance of a certification.
- Splicing low-voltage thermostat wires will void the warranty.
- Using any other wire (e.g. multi-strand) besides a solid copper C-Wire will void the warranty.
- Customer's account balance must be paid.

The warranty will be void if any of the following terms are not met:

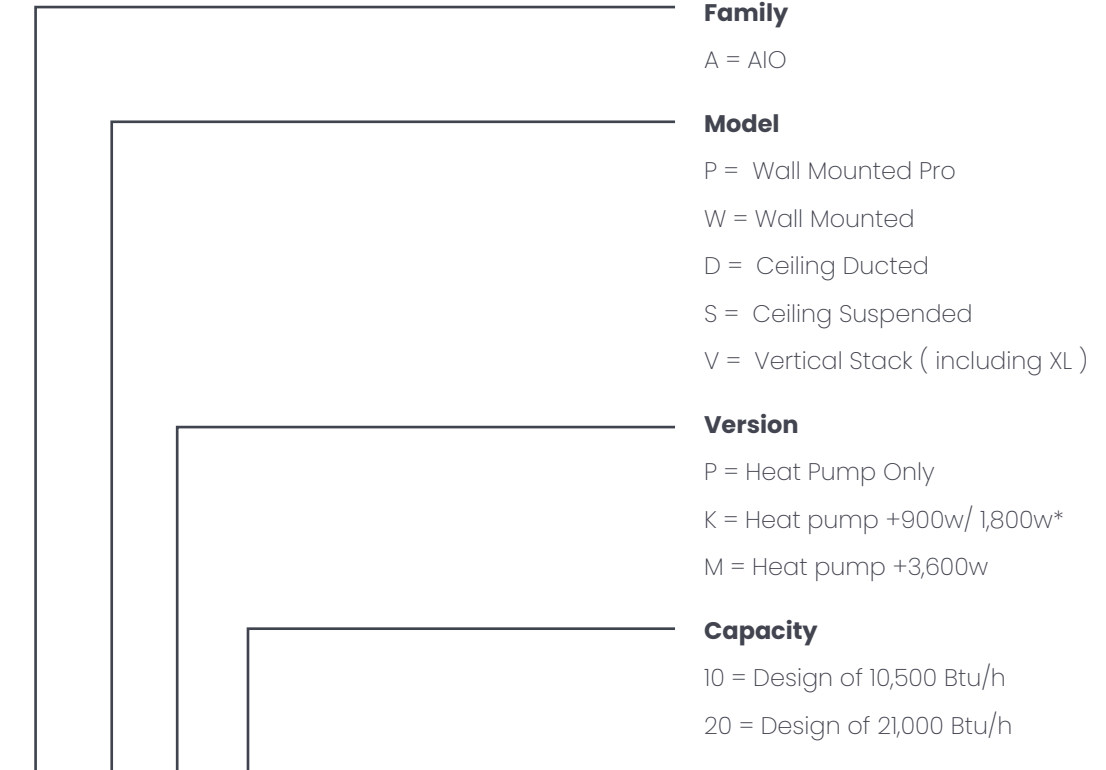
- Self-certification photos must be submitted to Ephoca at [selfcertify@ephoca.com](mailto:selfcertify@ephoca.com). Warranty activation requires review, approval, and issuance of a certification.
- The unit must be used in alignment with the intended room's design specifications.
- Warranty is void if the customer's account balance remains unpaid.

THIS WARRANTY IS IN LIEU OF ANY OTHER WARRANTY, EXPRESS OR IMPLIED, INCLUDING WITHOUT LIMITATION, ANY WARRANTY OF MERCHANTABILITY OR FITNESS FOR A PARTICULAR PURPOSE. TO THE EXTENT ANY IMPLIED WARRANTY IS REQUIRED BY LAW, IT IS LIMITED IN DURATION TO THE EXPRESS WARRANTY PERIOD(S) ABOVE. NEITHER EPHOCA NOR ITS DISTRIBUTOR SHALL BE LIABLE FOR ANY INCIDENTAL, CONSEQUENTIAL, INDIRECT, SPECIAL, OR PRODUCTIVE DAMAGES OF ANY NATURE, INCLUDING WITHOUT LIMITATION, LOST REVENUES OR PROFITS, OR ANY OTHER DAMAGE WHETHER BASED IN CONTRACT, TORT, OR OTHERWISE. FOR A PARTICULAR USE OR PURPOSE.

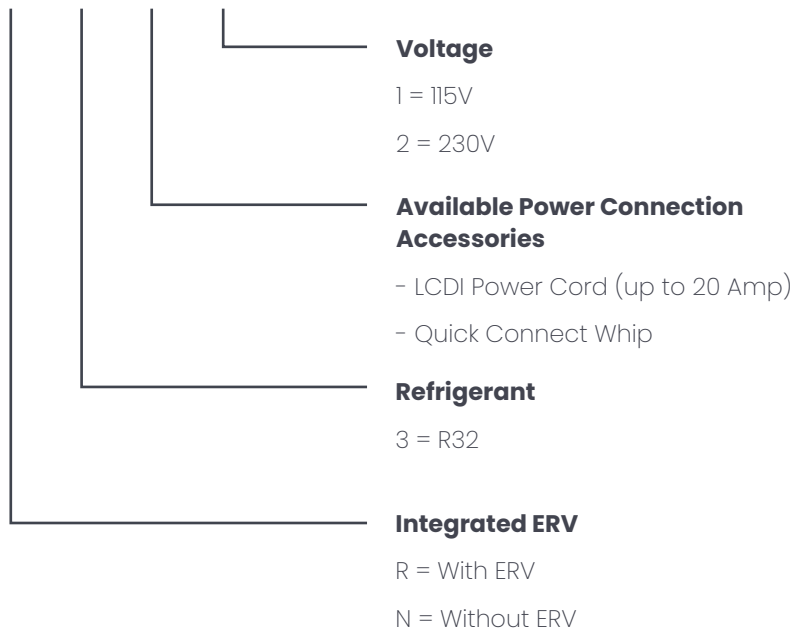
NO ONE IS AUTHORIZED TO CHANGE THIS WARRANTY CERTIFICATE OR TO CREATE FOR US ANY OTHER OBLIGATION OR LIABILITY IN CONNECTION WITH THIS AIR CONDITIONER. NO OTHER WARRANTY, EXPRESSED OR IMPLIED, IS APPLICABLE TO THIS PRODUCT.

Some states do not allow the exclusion or limitation of incidental/ consequential damages or limitations on how long an implied warranty lasts, so the above exclusion or limitation may not apply to you. This warranty gives you, the original purchaser, specific legal rights; you may also have other rights that vary from state to state. This warranty does not cover any additional responsibilities or obligations not expressly stated herein nor does it apply to any accessory that is not a part of the AIO as included in the package by Ephoca.

## NOMENCLATURE



**A W P 10 R 3 H 1**



\* Field convertible

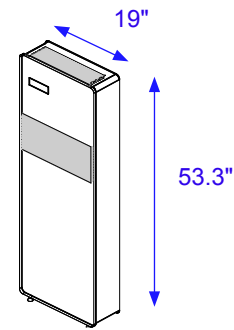


# AIO WALL MOUNTED -115V - NO ELECTRIC HEAT STRIP - R32 -SUBMITTAL (AWP10N3H1)

Job	Reference	Construction
Location	Approval	Quote Number
Engineer	Date	Drawing Number
Submitted To	Submitted By:	P.O. Number:

## General Features

- BLDC inverter compressor
- ECM fans
- R32 Refrigerant
- Auto restart
- Intelligent defrost
- No outdoor unit
- Condensate disbursement systems
- Onboard touch controller
- Optional add-on ERV
- Washable filter
- Electronically controlled air louver
- Compact, slim design
- 3 selectable fan speeds + Auto
- 10 Year limited warranty includes 1 year parts and labor and Additional 9
- Made in Italy



## Performance Specifications

Cooling Capacity (Btu/h)	10,200
SEER2	11.95
Rev. Cycle Heating Capacity (Btu/h)	10,100
Total Heat Capacity w/ Elec (Btu/h)	10,100
HSPF2	6.45
Circulation (CFM)	160-290
Dehumidification (Pts/h)	1.9

1. EER2 and SEER2 are based on nominal capacity of 7,700 Btu/H
2. COP/ HSPF2 are based on nominal capacity of 7,500 Btu/h. COP/HSPF2 only take into consideration the heat pump and not electric heat

## Electric Specifications

### Electric Heat

Power Supply (V Ph, Hz)	115/1/60
Voltage Range	98 - 120
Running Amps Cooling	7.7
Max Amps Cooling	8.8
Running Amps Heating	6.3
Max Amps Heating	8.8
MCA	13
Maximum Overcurrent Protection (A)	25
Recommend breaker size	15
Max Power Input (watts) Cooling	1,630
Max Power Input (watts) Heating	1,630

## Wall Controllers + Gateways

<input type="checkbox"/> Wireless Remote	WRCH20
<input type="checkbox"/> Basic Touch Controller	LTCH20
<input type="checkbox"/> Recessed Touch Controller	RTCH20
<input type="checkbox"/> Advanced TFT Controller with 7-Day program	TFTH20
<input type="checkbox"/> Wireless (AA Battery) Infrared Controller with 7-Day program	WIPT20
<input type="checkbox"/> Third Party Gateway	TPG015
<input type="checkbox"/> Modbus	MODH20
<input type="checkbox"/> WiFi App	WIFI30
<input type="checkbox"/> E-Paper EOS Controller	EEOS12
<input type="checkbox"/> Simple EOS Controller	SEOS12
<input type="checkbox"/> BACnet	BACH20

## General Accessories

<input type="checkbox"/> ERV	AWERV30
<input type="checkbox"/> Underbody Cover Plate	GB0737II
<input type="checkbox"/> Underbody Cover Plate for unit w/ERV	GB0737I4
<input type="checkbox"/> Reducer Plate from 8" to 6"	RED2016

## LCDI Power Cords

Electric Heat	Whip	Plug	SKU
<input type="checkbox"/> None	72 in.	NEMA 6-15P	L115v15a



Ephoca is the US subsidiary of Innova SRL - Via 1°  
.Maggio, 8 - 38089 Storo (TN) Italy  
[ephoca.com](http://ephoca.com) | 216-710-1000